



User Manual

12V CORDLESS GRASS SHEARS
GS1201



 www.snapfreshtools.com  afterservice@snapfreshpro.com

 Read all safety rules and instructions carefully before operating this tool.












CONTENTS

Contents	2
Symbols	3
Safety instructions	4-14
Machine information	14-15
Assembly	16-17
Operation	18-21
Troubleshooting	22-23
Maintenance	24
Environment	25
Warranty	25-26

SYMBOLS

The following symbols are used in the user manual or on the product:

	Read the user manual.
	Important! Read the operating instructions and follow the warnings and safety instructions.
	Keep all other persons away from the danger zone.
	Caution! The cutter blades continue to run after the motor is switched off. Wait for the blades to come to a standstill.
	Conform to applicable European regulations.
	Protect the tool from the damp and never expose it to rain.
	Separate collection for Li-ion battery.

SAFETY INSTRUCTIONS

Read the enclosed safety warnings, the additional safety warnings and the instructions. Failure to follow the safety warnings and the instructions may result in electric shock, fire and/or serious injury. Save the safety warnings and the instructions for future reference.

1. GENERAL POWER TOOL SAFETY WARNINGS



WARNING! Read all safety warnings and all instructions. Failure to follow the warning and instructions may result in electric shock, fire and/or serious injury.

Save all warnings and instructions for future reference.

The term "power tool" in the warnings refers to your mains-operated (corded) power tool or battery-operated (cordless) power tool.

1) Work area safety

- **Keep the work area clean and well lit.** Cluttered or dark areas invite accidents.
- **Do not operate power tools in explosive atmospheres, such as in the presence of flammable liquids, gases or dust.** Power tools create sparks which may ignite the dust or fumes.
- **Keep children and bystanders away while operating a power tool.** Distractions can cause you to lose control.

2) Electrical safety

- **Power tool plugs must match the outlet.** Never modify the plug in any way. Do not use any adapter plugs with earthed (grounded) power tools. Unmodified plugs and matching outlets will reduce risk of electric shock.
- **Avoid body contact with earthed or grounded surfaces, such as pipes, radiators, ranges and refrigerators.** There is an increased risk of electric shock if your body is earthed or grounded.

- **Do not expose power tools to rain or wet conditions.** Water entering a power tool will increase the risk of electric shock.
- **Do not abuse the cord.** Never use the cord for carrying, pulling or unplugging the power tool. Keep cord away from heat, oil, sharp edges or moving parts. Damaged or entangled cords increase the risk of electric shock.
- **When operating a power tool outdoors, use an extension cord suitable for outdoor use.** Use of a cord suitable for outdoor use reduces the risk of electric shock.
- **If operating a power tool in a damp location is unavoidable, use a residual current device (RCD) protected supply.** Use a RCD to reduce the risk of electric shock.

3) Personal safety

- **Stay alert, watch what you are doing and use common sense when operating a power tool. Do not use a power tool while you are tired or under the influence of drugs, alcohol or medication.** A moment of inattention while operating power tools may result in serious personal injury.
- **Use personal protective equipment. Always wear eye protection.** Protective equipment such as dust mask, non-skid safety shoes, hard hat, or hearing protection used for appropriate conditions will reduce personal injuries.
- **Prevent unintentional starting. Ensure the switch is in the off-position before connecting to power source and/or battery pack, picking up or carrying the tool.** Carrying power tools with your finger on the switch or energising power tools that have the switch on invites accidents.
- **Remove any adjusting key or wrench before turning the power tool on.** A wrench or a key left attached to a rotating part of the power tool may result in personal injury.
- **Do not overreach. Keep proper footing and balance at all times.** This enables better control of the power tool in unexpected situations.
- **Dress properly. Do not wear loose clothing or jewelry. Keep your hair, clothing and gloves away from moving parts.** Loose clothes, jewelry or long hair can be caught in moving parts.

- **If devices are provided for the connection of dust extraction and collection facilities, ensure these are connected and properly used.** Use of dust collection can reduce dust related hazards.
- **Do not let familiarity gained from frequent use of tools allow you to become complacent and ignore tool safety principles.** A careless action can cause severe injury within a fraction of a second.

4) Power tool use and care

- **Do not force the power tool. Use the correct power tool for your application.** The correct power tool will do the job better and safer at the rate for which it was designed.
- **Do not use the power tool if the switch does not turn it on and off.** Any power tool that cannot be controlled with the switch is dangerous and must be repaired.
- **Disconnect the plug from the power source and/or the battery pack from the power tool before making any adjustments, changing accessories, or storing power tools.** Such preventive safety measures reduce the risk of starting the power tool accidentally.
- **Store idle power tools out of the reach of children and do not allow persons unfamiliar with the power tool or these instructions to operate the power tool.** Power tools are dangerous in the hands of untrained users.
- **Maintain power tools. Check for misalignment or binding of moving parts, breakage of parts and any other condition that may affect the power tool's operation. If damaged, have the power tool repaired before use.** Many accidents are caused by poorly maintained power tools.
- **Keep cutting tools sharp and clean.** Properly maintained cutting tools with sharp cutting edges are less likely to bind and are easier to control.
- **Use the power tool, accessories and tool bits etc. in accordance with these instructions, taking into account the working conditions and the work to be performed.** Use of the power tool for operations different from those intended could result in a hazardous situation.

- **Keep handles and grasping surfaces dry, clean and free from oil and grease.** Slippery handles and grasping surfaces do not allow for safe handling and control of the tool in unexpected situations.

5) Battery tool use and care

- **Recharge only with the charger specified by the manufacturer.** A charger that is suitable for one type of battery pack may create a risk of fire when used with another battery pack.
- **Use power tools only with specifically designated battery packs.** Use of any other battery packs may create a risk of injury and fire.
- **When the battery pack is not in use, keep it away from other metal objects, like paper clips, coins, keys, nails, screws or other small metal objects that can make a connection from one terminal to another.** Shorting the battery terminals together may cause burns or a fire.
- **Under abusive conditions, liquid may be ejected from the battery; avoid contact. If contact accidentally occurs, flush with water. If liquid contacts eyes, additionally seek medical help.** Liquid ejected from the battery may cause irritation or burns.
- **Do not use a battery pack or tool that is damaged or modified.** Damaged or modified batteries may exhibit unpredictable behavior resulting in fire, explosion or risk of injury.
- **Do not expose a battery pack or tool to fire or excessive temperature.** Exposure to fire or temperature above 130 °C may cause an explosion. NOTE The temperature „130 °C“ can be replaced by the temperature „265 °F“.
- **Follow all charging instructions and do not charge the battery pack or tool outside the temperature range specified in the instructions.** Charging improperly or at temperatures outside the specified range may damage the battery and increase the risk of fire.

6) Service

- **Have your power tool serviced by a qualified repair person using only identical replacement parts.** This will ensure that the safety of the power tool is maintained.



- **Never service damaged battery packs.** Service of battery packs should only be performed by the manufacturer or authorized service providers.

2. ADDITIONAL SAFETY WARNINGS FOR HEDGE TRIMMER

- Keep all parts of the body away from the cutter blade. Do not remove cut material or hold material to be cut when blades are moving. Make sure the switch is off when clearing jammed material. A moment of inattention while operating the hedge trimmer may result in serious personal injury.
- Carry the hedge trimmer by the handle with the cutter blade stopped. When transporting or storing the hedge trimmer always fit the cutting device cover. Proper handling of the hedge trimmer will reduce possible personal injury from the cutter blades.
- Hold the power tool by insulated gripping surfaces only, because the cutter blade may contact hidden wiring. Cutter blades contacting a "live" wire may make exposed metal parts of the power tool "live" and could give the operator an electric shock.
- Keep cable away from cutting area. During operation the cable may be hidden in shrubs and can be accidentally cut by the blade.
- Keep cable away from cutting area. During operation the cable may be hidden in shrubs and can be accidentally cut by the blade.
- Always check the hedge for foreign objects, e.g. wire fences, before use the trimmer. Hold the hedge trimmer properly, e.g. with both hands if two handles are provided.
- Children should be supervised to ensure that they do not play with the appliance.
- Never allow children, persons with reduced physical, sensory or mental capabilities or lack of experience and knowledge or people unfamiliar with these instructions to use the machine.
- This appliance is only to be used with the power supply unit provided with the appliance.
- The battery is non replaceable.
- Never overreach, keep balance at all times, always be sure of footing on slopes and to walk, never run.

- Don't touch moving hazardous parts before the machine is disconnected from the mains and the moving hazardous parts have come to a complete stop.
- Always wear substantial footwear and long trousers while operating the machine.
- Never operate the machine with defective guards or shields, or without safety devices, or if the cord is damaged or worn.
- Don't connect a damaged cord to the supply or touch a damaged cord before it is disconnected from the supply for the reason that damaged cords can lead to contact with live parts.
- Avoid using the machine in bad weather conditions especially when there is a risk of lightning.

IMPORTANT
READ CAREFULLY BEFORE USE
KEEP FOR FUTURE REFERENCE
EE.2 Safe operation practices

Training

- Read the instructions carefully. Be familiar with the controls and the correct use of the machine.
- Never allow children or people unfamiliar with these instructions to use the machine. Local regulations can restrict the age of the operator.
- Keep in mind that the operator or user is responsible for accidents or hazards occurring to other people or their property.

Preparation

- Before use, always visually inspect the machine for damaged, missing or misplaced guards or shields.
- Never operate the machine while people, especially children, or pets are nearby.



Operation

- Wear eye protection and stout shoes at all times while operating the machine.
- Avoid using the machine in bad weather conditions especially when there is a risk of lightning.
- Use the machine only in daylight or good artificial light.
- Never operate the machine with damaged guards or shields or without guards or shields in place.
- Switch on the motor only when the hands and feet are away from the cutting means.
- Always disconnect the machine from the power supply (i.e. remove the plug from the mains remove the disabling device or removable battery)
 - whenever the machine is left unattended,
 - before clearing a blockage,
 - before checking, cleaning or working on the machine,
 - after striking a foreign object,
 - whenever the machine starts vibrating abnormally.
- Take care against injury to feet and hands from the cutting means.
- Always ensure that the ventilation openings are kept clear of debris.

Maintenance and storage

- Disconnect the machine from the power supply (i.e. remove the plug from the mains remove the disabling device or removable battery) before carrying out maintenance or cleaning work.
- Use only the manufacturer's recommended replacement parts and accessories.
- Inspect and maintain the machine regularly. Have the machine repaired only by an authorized repairer.
- When not in use, store the machine out of the reach of children.

SERVICE

- Have your tool repaired only by authorized specialists using original replacement parts. This will ensure that your tool remains safe to use.

3.CAREFUL HANDLING AND USE OF CORDLESS EQUIPMENT

- Ensure that the equipment is switched off before you insert the battery. Inserting a battery into an electric tool that is switched on can cause accidents.
- Only charge the batteries in chargers that are recommended by the manufacturer. A charger that is designed for a certain type of batteries may pose a fire risk if it is used with other types of batteries.
- Use only the correct batteries in the electric tools. The use of other batteries may result in injuries and a fire risk.
- Keep unused batteries away from paperclips, coins, keys, nails, screws and other metallic objects that could cause a shortcircuit between the contacts. A short circuit between the battery contacts may cause burns or a fire.
- In case of incorrect use, fluid may escape from the battery. Avoid contact with it. If you touch it by mistake, rinse the affected area with water. If you get the fluid in your eyes, also seek medical advice. Leaking battery fluid can cause skin irritation or burns.

4.ADDITIONAL SAFETY INSTRUCTIONS

- The battery pack supplied with your cordless tool is not charged. The battery pack has to be charged before you use the tool for the first time.
- The battery pack does not reach its maximum capacitance until it has been charged and discharged approximately five times.
- Battery packs lose their charge even when they are not being used. Regular charging is therefore recommended.
- Please check the data marked on the rating plate of the battery charger. Be sure to connect the battery charger to a power supply with the voltage marked on the rating plate. Never connect it to a different mains voltage.

- Keep the battery charger and the cordless tool out of children's reach.
- Wear suitable work clothes. Wear safety goggles.
- Never open the battery pack. Avoid contact with a leaking battery pack. In case of accidental contact, wash the affected area of skin with soap and water. If battery acids gets in your eye, rinse out the eye with clear water for at least 10 minutes and seek a doctor's advice immediately. Neutralize other affected areas with a mild acid such as lemon juice or vinegar.
- Protect the battery charger and its cable from damage and sharp edges. Have damaged cables repaired without delay by a qualified electrician.
- Make sure that the contacts of the battery pack do not come into contact with other metallic objects such as nails or screws. There is a risk of short-circuiting!
- Use only battery chargers that are intended for the battery pack in question.
- Do not use damaged battery chargers.
- Leave repairs strictly to the appointed service center or authorized dealers.
- Do not use the supplied battery charger to charge other cordless tools.
- Never allow the battery pack to become fully discharged. This will cause it to develop a defect.
- Timely recharging of the battery pack will help it serve you well for a long time. You must recharge the battery pack when you notice that the power of the cordless tool drops.
- In heavy use the battery pack will become warm. Allow the battery pack to cool to room temperature before commencing with the charging.
- Protect your cordless tool and the battery charger from moisture and rain.
- Do not use the cordless tool or the battery charger near vapors and inflammable liquids.
- Do not throw battery packs into an open fire. There is a risk of explosion!
Use the battery charger only in dry conditions and an ambient temperature of 10-40°C.
- Do not keep the battery charger in places where the temperature is liable to reach 50°C. In particular, do not leave the battery charger in a car that is parked in the sunshine.

- Do not ignite the battery pack or expose it to fire.

Note: Do not lose these safety instructions.

5.SAFETY INSTRUCTIONS FOR GRASS SHEARS

- Before you begin your work,examine the material you want to cut. Remove any foreign bodies. Keep a continuous watch out for foreign bodies while you are working. If you come across any foreign bodies while cutting, turn off the device (release the ON button) and remove the items in question.
- Keep the device at a suitable distance from your body while working. Only switch on thedevice when all parts of the body are well out of the way.
- Make sure that no people or animals ever come within the working or swiveling range of the device.
- Only use the device in broad daylight or make sure that you provide adequate artificial light.
- Important! The cutting tools continue running on after the device has been switched off.
- When the device is not in use, make sure that it is stored in such a way that there is no risk of hands coming into contact with the cutting blades.
- If the cutting blades get jammed while cutting, turn off the device (release the ON button) and remove the object in question (thick branch, foreign body) with a suitable blunt aid. Never remove any such objects with your fingers as the pretensioned blade can cause serious injuries through cutting.
- Keep the air vents clean.
- Keep the charging cable away from the blades. Never use the device with the charging cable plugged in.
- We recommend that you use a socket with a residual current device with maximum 30mA tripping current for the charger.
- Never attempt to remove the cuttings with the motor running or to hold material you wish to cut. Always switch off the device before attempting to remove any jammed cuttings.




- Make sure you keep all parts of your body away from the blade. Never attempt to remove the cuttings with the blade running or to hold the material you wish to cut. Always switch off the equipment before attempting to remove any jammed cuttings. A single moment of carelessness when using the hedge trimmer can result in serious injuries.

MACHINE INFORMATION

TECHNICAL SPECIFICATIONS

Model No.	GS1201
Battery voltage:	12V
No-load speed:	1100rpm
Max. cutting length	6.7 in
Max. cutting diameter	0.3 in
Max. cutting width	3.7 in
Weight N.W (without packaging):	1.5 lbs

Model Number	BA1220
Battery type	Lithium-ion
Voltage	12V
Capacity	2.0 Ah
Recommended charger	SnapFresh chargers only
Weight	0.42 lbs

Model Number	XH1350-0400W
Charger input	100-240V~60Hz Max. 7.5W
Charger output	13.5V  0.4A
Recommended batteries	SnapFresh batteries only
Weight	0.2 lbs

The declared vibration total has been measured in accordance with a standard test method and may be used for comparing one tool with another. This total may also be used in a preliminary assessment of exposure.

Warning:

the vibration emission during actual use of the power tool can differ from the declared total value depending on the ways in which the tool is used; and identify safety measures to protect the operator that are based on an estimation of exposure in the actual conditions of use (taking account of all parts of the operating cycle such as the times when the tool is switched off and when it is running idle in addition to the trigger time).



Read this entire manual before using this product. Failure to do so can result in serious injury. Save this manual for future reference.

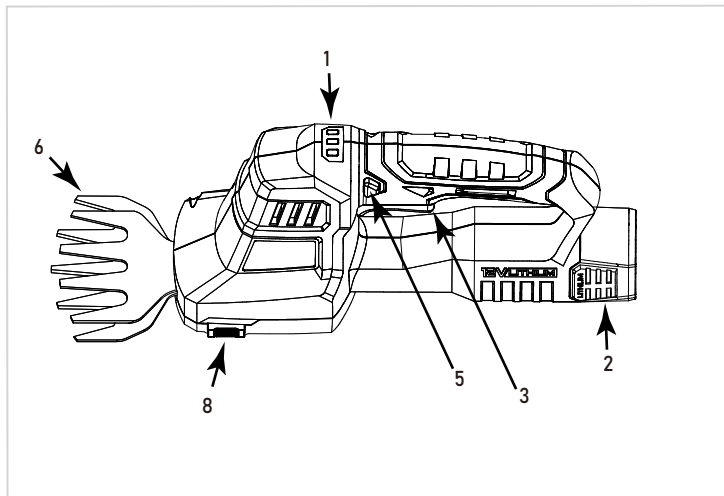
ASSEMBLY

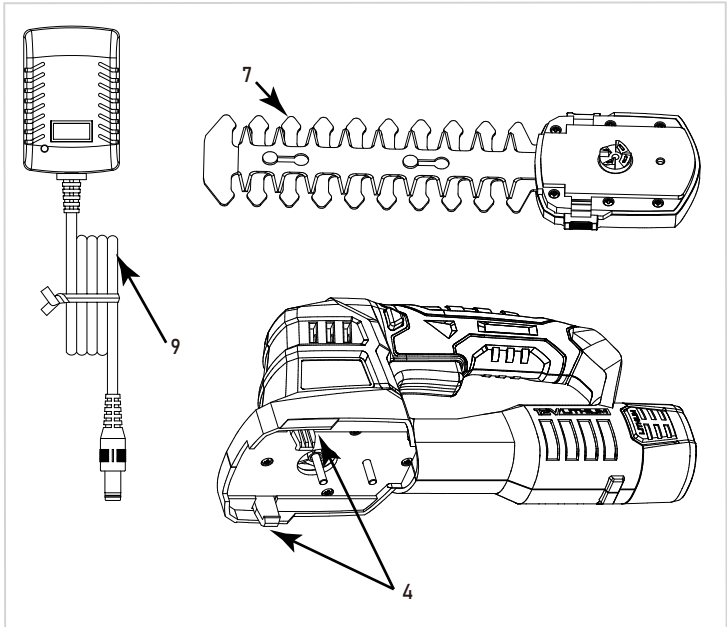
Unpacking

Carefully remove the product and any accessories from the box. Make sure that all items listed in the packing list are included.

Packing List

- A) Grass Shear
- B) Shrub cutter blade
- C) Charger Battery
- D) Manual





1. Battery charge indicator
2. Battery pack
3. On/off switch
4. Bottom buckle
5. Safety lock
6. Grass cutter blade
7. Hedge cutter blade
8. Lock button
9. Charger

OPERATION

Proper use

- The equipment is designed for cutting the edges of lawns and small areas of grass in private and hobby gardens.
- Tools for private and hobby gardens are not suitable for use in public facilities, parks and sport centers, along roadways, on farms or in the forestry sector.
- For the tool to be used properly it is imperative to follow the instructions set out in the manufacturer's directions for use.
- Important! It is prohibited to use the tool to chop material for composting because of the potential danger to persons and property.
- The machine is to be used only for its prescribed purpose. Any other use is deemed to be a case of misuse. The user will be liable for any damage or injuries of any kind caused as a result of this.
- This product is not intended for professional use.

Battery charge indicator

Press the On/ Off Switch and the Switch lock together to operate the tool to show the current charge with three LEDs in various colours:

- | | |
|--------------------------|-----------|
| - Red LED on | < 20 % |
| - Red and yellow LEDs on | 21 - 70 % |
| - All three LEDs on | > 70 % |

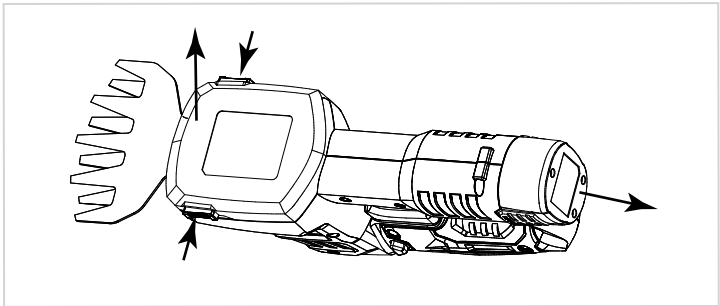
You will need to charge the battery as soon as only the red LED lights up. The Li-ion batteries are protected against deep discharge. Your garden trimmer will switch off as soon as the battery is empty.

NOTE: Release the On/Off switch, or you risk damaging the battery.

Charging the battery

You will need to charge the battery before using your garden trimmer for the first time.

- Only use the charger supplied to recharge the battery.
- Only use the charger in the dry indoors.
- Only charge the battery at ambient temperatures of 10° - 40°C.
- The red LED will show you the charging status. The battery is completely recharged as soon as the green LEDs light up.
- The handgrip may warm up during the charging process. This is normal.
- Unplug your garden trimmer from the mains if you do not intend to use it for an extended period.
- Do not switch your garden trimmer on during the charging process.



Changing the cutting head

Always wear hand protection to prevent cuts while changing the cutting head.

- Take off safety key
- With the trimmer upside down in your hand and with the base facing upwards, press the Lock button to loosen the blade and then slide the cutting head in the direction of the handle and lift it off.
- Remove the cutting head (blade assembly) from the trimmer.
- Fit the new cutting head (blade) with the same way, press the lock button and insert the cutting head(blade) in to the base cover until it is in the specified position(blade assembly).



Starting up your garden trimmer

- The area to be cut must first be cleared of stones and other solid objects.
- The power button prevents the tool being started unintentionally during delivery. Activate the power button by pushing it forward "ON" position firstly before operation.
- Your garden trimmer has been fitted with a switch lock for safety reasons.
- You can unlock the switch in either direction.
- To switch on your trimmer, first push the switch lock to the left or right, and at the same time, apply the On/ OFF switch . You can release the switch lock once your garden trimmer is running.
- Release the On/ OFF switch to switch your garden trimmer off.

NOTE: The blades will continue to move after you have released the On/ OFF switch. As soon as you release the On/ OFF switch , the switch lock will automatically reengage to lock it out.

Always check that the switch lock is in working order before you use your garden trimmer. Using your garden trimmer with a defective switch lock may cause serious injury from the blades.

Cutting grass

Allow the grass cutter to glide above the ground. The best results are achieved when the lawn is dry. When you notice a drop in cutting performance, recharge the tool immediately so that the battery does not become fully discharged.

Trimming hedges

- The tool can be used to trim small hedges and shrubs.
- Hold the tool slightly tilted in relation to the hedge you want to cut. First cut the sides from the bottom up, then cut the top.
- Watch out for foreign objects in or on the hedge which could damage the blades.

When is the best time to trim hedges?

- As a general rule, hedges which lose their leaves in the autumn should be trimmed in June and October.
- Hedges which do not lose their leaves should be cut in April and August.

TROUBLESHOOTING

Problem	Possible cause	Problem Solutions
1.Product does not start	1.1. Battery pack is not properly attached.	1.1. Make sure the Battery Pack is inserted correctly and locked in place
	1.2. Battery pack is discharged	1.2. Remove and charge the battery pack(Observe the SnapFresh Battery User Guide for more operation details).
	1.3. Battery pack is damaged.	1.3. Check by a specialist electrician.For any other questions, Please contact us via email: afterservice@snapfresh-pro.com
	1.4. Other electrical defects to the product.	1.4. Check by a specialist electrician.For any other questions, Please contact us via email: afterservice@snapfresh-pro.com
2. Product suddenly stops	2.1. Battery pack is discharged.	2.1. Remove and charge the battery pack(Observe the SnapFresh Battery User Guide for more operation details).
	2.2. Battery pack is too hot.	2.2. Remove the battery pack and let it cool down.
	2.3.Other electrical defects to the product.	2.3.Check by a specialist electrician.For any other questions, Please contact us via email: afterservice@snapfresh-pro.com
	2.4.Other mechanical defects of the product.	2.4.Check with a professional engineer.- For any other questions, please contact us via email: afterservice@snapfresh-pro.com
	2.5.The cutting process cut into the hard object to trigger the protection	2.5.Please restart the tool.

Problem	Possible cause	Problem Solutions
3. Blades are difficult to disassemble or assemble	3.1. Incorrect disassembly and assembly.	3.1. Follow the correct disassembly and assembly procedures.(Refer to the SnapFresh Installation Guide for more operational details.)
4. The blade assembly does not lock securely onto the product	4.1. Blade not assembled properly.	4.1. Correct disassembly and assembly (For more details, see the SnapFresh Product User Guide).
	4.2. The locking hole on the blade is broken.	4.2. Please discontinue the use of this blade and contact us via email: afterservice@snapfreshpro.com
	4.3. The locking buckle on the main body of the product is broken.	4.3. Please discontinue the use of this blade and contact us via email: afterservice@snapfreshpro.com

MAINTENANCE

Cleaning

- Keep all safety devices, air vents and the motor housing free of dirt and dust as far as possible.
- Wipe the equipment with a clean cloth or blow it with compressed air at low pressure.
- We recommend that you clean the device immediately each time you have finished using it.
- Clean the equipment regularly with a moist cloth and some soft soap. Do not use cleaning agents or solvents; these could attack the plastic parts of the equipment. Ensure that no water can seep into the device.
- A few drops of oil (e.g. sewing machine oil) will improve the cutting performance of the blades, but never apply any grease to the blades. To ensure constant exact cutting it is also important to remove grass remnants and dirt from between the upper and lower blade.

Important!

- Never clean the tool under running water - and particularly never with high pressure because of the potential danger to persons and property.
- Keep your cordless grass cutter and hedge trimmer in a dry and frost-proof place. Choose a place that children are unable to enter.

Maintenance

- To achieve good results you should keep the blades sharp at all times. In particular we recommend that you immediately level off any jags or ridges caused by stones or the like. The tool should be thoroughly cleaned both before and after use.
- There are no parts inside the equipment which require additional maintenance.

ENVIRONMENT



Processing of electric and electronic equipment at the end of their service life

This symbol (crossed-out dustbin), affixed to the product or its packaging, indicates that the product must not be processed with household waste. It must be brought to an electric and electronic waste collection point for recycling and disposal. By ensuring the appropriate disposal of this product you also help in preventing potentially negative consequences for the environment and human health. The recycling of materials helps preserve our natural resources. For further information regarding the recycling of this product, please contact your municipality, local waste disposal centre or the store where the product was purchased. This process is applicable in member countries of the European Union and other European countries operating a selective waste collection system. When replacing your used batteries or batteries, we ask that you follow the current regulations and place them in a designated location. This will ensure their safe and environmentally disposal.

WARRANTY

Ningbo Babytec Technology Co., Ltd (Hereinafter referred to as Babytec) warrants this product against defects in materials and/or workmanship under normal use for a period of ONE (1) YEAR from the date of purchase by the original purchaser ("Warranty Period").

The following circumstances are excluded from this guarantee:

- Repairs and or alterations have been made or attempted to the machine by unauthorized service centers;
- Normal wear and tear;
- The tool has been abused, misused or improperly maintained;
- Non-original spare parts have been used.



If a defect arises and a valid claim is received within the Warranty Period, at its option, Babytec will either 1) repair the defect at no charge, using new or refurbished replacement parts, or 2) replace the product with a new product that is at least functionally equivalent to the original product, or provide a store credit in the amount of the purchase price of the original product. A replacement product or part, including a part installed in accordance with instructions product by Babytec, assumes the remaining warranty of the original product. When a product or part is exchanged, any replacement item becomes your property and the replaced item becomes Babytec's property. When a store credit is given, the original product must be returned to Babytec and becomes Babytec's property.

To obtain warranty service, e-mail Babytec Warranty Service at **afterservice@snapfreshpro.com**. Please be prepared to describe the product that needs service and the nature of the problem. To extend your warranty, please register at **snapfreshpro.vip**

 +1 833 635 0955

(Monday - Friday 9 a.m. - 5 p.m. EST 6 a.m. - 2 p.m. PST)